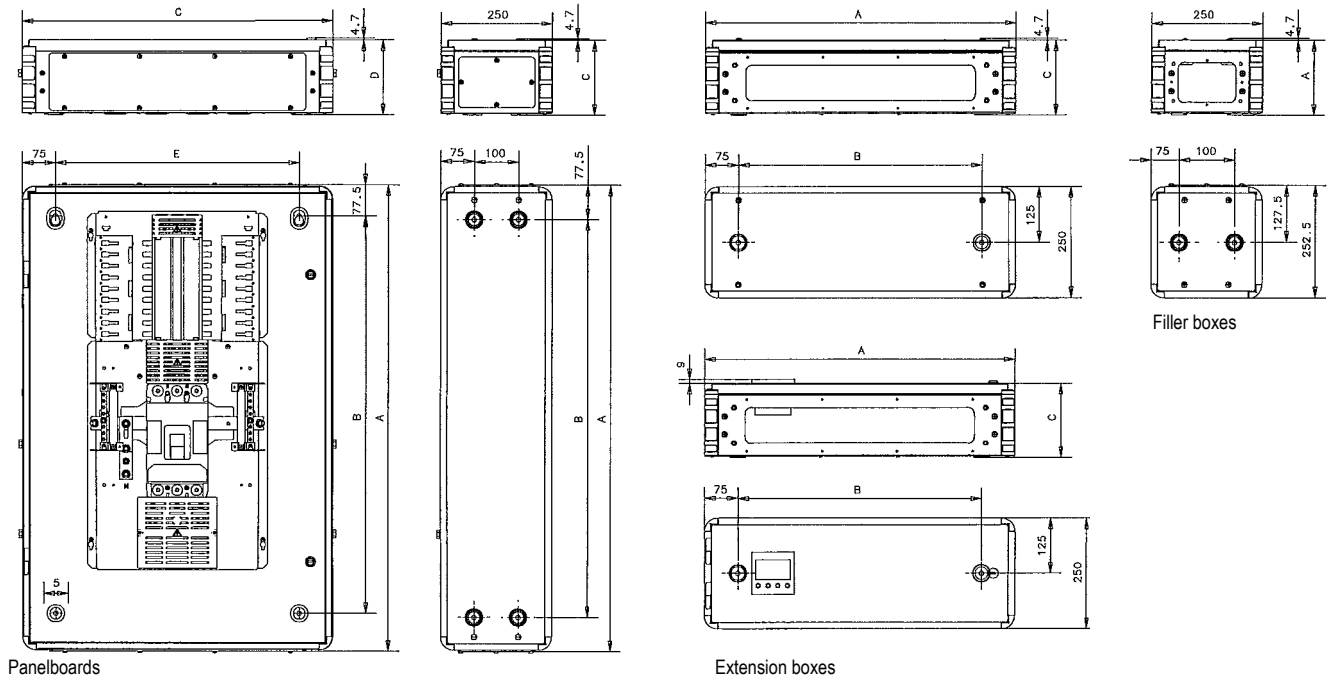


### Panelboard dimensional drawings

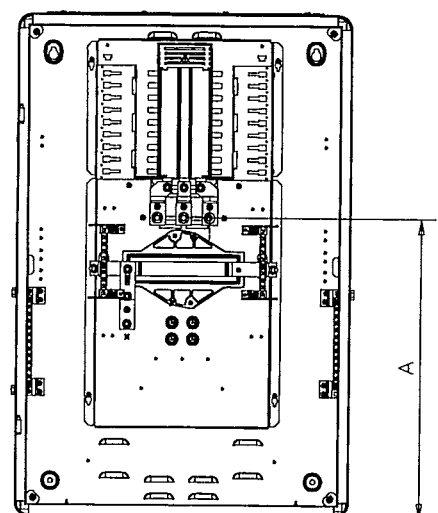
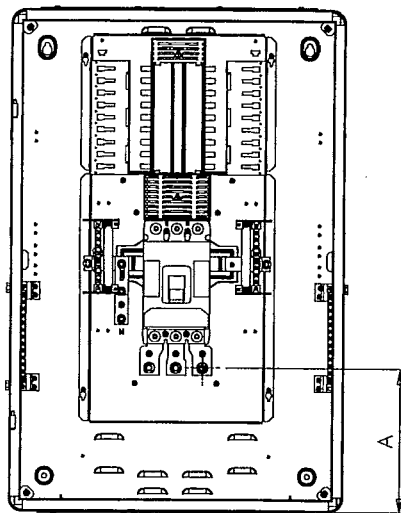
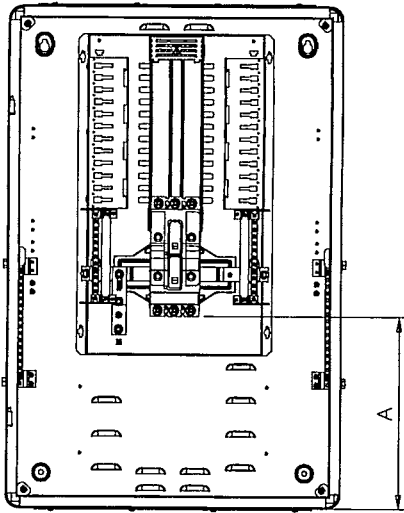


### Panelboard dimensions

Description	Eaton list number	Dimensions (mm)				
		A	B	C	D	E
Extension boxes	<b>PBEGEX250</b>	700	550	169	–	–
	<b>PBEX250</b>	850	700	209	–	–
Filler boxes	<b>PBEGSX250</b>	169	–	–	–	–
	<b>PBSX250</b>	209	–	–	–	–
Panelboards	<b>PBEG325</b>	455	300	700	169	550
	<b>PBEG625M</b>	905	750	700	169	550
	<b>PBEG825M</b>	1055	900	700	169	550
	<b>PBEG1225M</b>	1155	1000	700	169	550
	<b>PBEG640M</b>	1055	900	700	169	550
	<b>PBEG1240M</b>	1305	1150	700	169	550
	<b>PBJG640M</b>	1405	1250	850	209	700
	<b>PBJG1240M</b>	1605	1450	850	209	700
	<b>PBJG1840M</b>	1805	1650	850	209	700
	<b>PBJG863M</b>	1405	1250	850	209	700
	<b>PBJG1263M</b>	1605	1450	850	209	700
	<b>PBJG1863M</b>	1805	1650	850	209	700
	Side cable boxes	<b>PBLG880M</b>	1605	1450	850	209
<b>PBLG1280M</b>		1805	1650	850	209	700
<b>PBEGSX900</b>		905	750	169	–	–
<b>PBEGSX1050</b>		1055	900	169	–	–
<b>PBEGSX1150</b>		1155	1000	169	–	–
<b>PBEGSX1300</b>		1305	1150	169	–	–
Meter packs	<b>PBJGSX1400</b>	1405	1250	209	–	–
	<b>PBSX1600</b>	1605	1450	209	–	–
	<b>PBSX1800</b>	1805	1650	209	–	–
	<b>PBEGMPA25</b>	700	550	169	–	–
	<b>PBEGMPD</b>	700	550	169	–	–
	<b>PBEGMPA40</b>	700	550	169	–	–
	<b>PBJGMPA25</b>	850	700	209	–	–
	<b>PBJGMPD</b>	850	700	209	–	–
	<b>PBJGMPA40</b>	850	700	209	–	–
	<b>PBJGMPA66</b>	850	700	209	–	–

# Technical data

## Panelboard dimensional drawings



250A Frame size Incomer

630A/800A Frame size Incomer

Lug Incomer

Panelboard	Incomer	Eaton list number	Dimensions A (mm)	
Type 1	250A Frame size	<b>PBEG325</b>	–	
Type 2	250A Frame size	<b>PBEG625M</b>	327	
		<b>PBEG825M</b>	401	
		<b>PBEG1225M</b>	347	
Type 3	400A Frame size	<b>PBEG640M + PBEGLG40</b>	300	
		<b>PBEG1240M + PBEGLG40</b>	318	
	Lug	<b>PBEG640M + PBEGL40</b>	624	
		<b>PBEG1240M + PBEGL40</b>	642	
Type 4 & 5	400A Frame size	<b>PBJG640M + PBJGJG25</b>	689	
		<b>PBJG1240M + PBJGJG25</b>	657	
		<b>PBJG1840M + PBJGJG25</b>	585	
		<b>PBJG640M + PBJJGLG40</b>	465	
		<b>PBJG1240M + PBJJGLG40</b>	433	
		<b>PBJG1840M + PBJJGLG40</b>	361	
	630A Frame size	<b>PBJG863M + PBJJGLG63</b>	347	
		<b>PBJG1263M + PBJJGLG63</b>	393	
		<b>PBJG1863M + PBJJGLG63</b>	361	
		Lug	<b>PBJG640M + PBJJGL40</b>	844
			<b>PBJG1240M + PBJJGL40</b>	814
			<b>PBJG1840M + PBJJGL40</b>	741
			<b>PBJG863M + PBJJGL63</b>	727
		<b>PBJG1263M + PBJJGL63</b>	773	
<b>PBJG1863M + PBJJGL63</b>	741			
Type 6	800A Frame size	<b>PBLG880M + PBLGLW80</b>	484	
		<b>PBLG1280M + PBLGLW80</b>	484	
	Lugs	<b>PBLG880M + PBJJGL63</b>	905	
		<b>PBLG1280M + PBJJGL63</b>	905	

Eaton Electric Limited  
 Grimshaw Lane  
 Middleton  
 Manchester M24 1GQ  
 United Kingdom  
 Customer Support Centre  
 Tel: +44(0)8700 545 333  
 Fax: +44(0)8700 540 333  
 email: ukcommorders@eaton.com